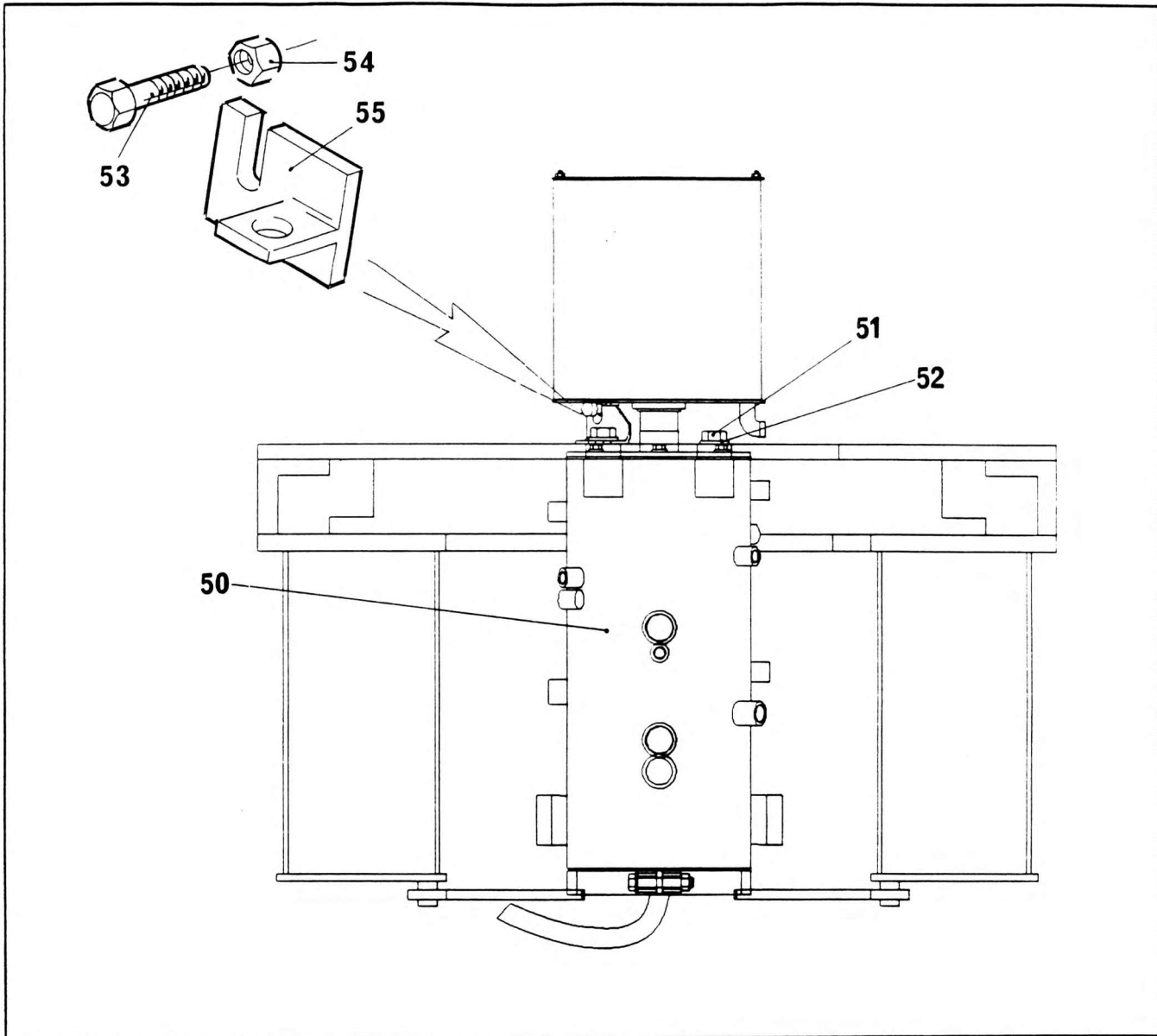


ELECTRIC AIR & HYD. SWIVEL INSTALL



NO.	PART NO.	QTY.	DESCRIPTION	NO.	PART NO.	QTY.	DESCRIPTION
50+	6-364-990143	1	Electrical Air & Hyd. Swivel Assy				
51	7-115-223250	4	Bolt $\frac{3}{4}$ " UNC x 4" Lg				
52	7-949-000236	4	Washer Hardened $\frac{3}{4}$ "				
53	7-112-181650	1	Hex Head Bolt $\frac{1}{2}$ " UNC x 2"				
54	7-660-180000	1	Hex Nut $\frac{1}{2}$ " UNC				
55	6-184-991955	1	Bracket				

+ See further breakdown in this group